



**SERVICE
MANUAL SC500**



marantz®

model SC500

Stereo Control Console



MARANTZ DESIGN AND SERVICE

Using superior design and selected high grade components, MARANTZ Company has created the ultimate in stereo sound. Only original MARANTZ parts can insure that your MARANTZ product will continue to perform to the specifications for which it is famous.

Parts for your MARANTZ stereo are generally available within 72 hours throughout the nation via a toll-free line to our National Parts Depot in California. The sales professionals who take your call immediately refer to their own desk top computer terminal and can quickly determine the availability and price information you require. If for some reason, your order should exceed our available stock, we usually can instantly provide an alternate replacement part or current delivery information. When the order is placed and confirmed, the computer simultaneously generates "hard copy" orders at the distribution center. As hard copies come directly from the computer to the national parts depot, your requested stock is assembled and prepared for shipment and placed on the first available carrier for delivery to you.

ORDERING PARTS

Phone orders will eliminate mail delays, and we encourage the use of this method. If you order by mail, use MARANTZ parts order forms which are available from our National Parts Depot located at the following address:

SUPERSCOPE NATIONAL PARTS DEPARTMENT
20525 Nordhoff Street
Chatsworth, California 91311
Phone: 1-800-423-5108
1-213-998-9333

The following information must be supplied to eliminate delays in processing your order:

1. Complete address.
2. Complete part numbers.
3. Complete description of parts.
4. Model number for which part is required (indicate MARANTZ).
5. Account number (for account customers only).

Direct consumers will be provided with the current retail price quotation on available parts in order to advise them of the cost of the parts and shipping.

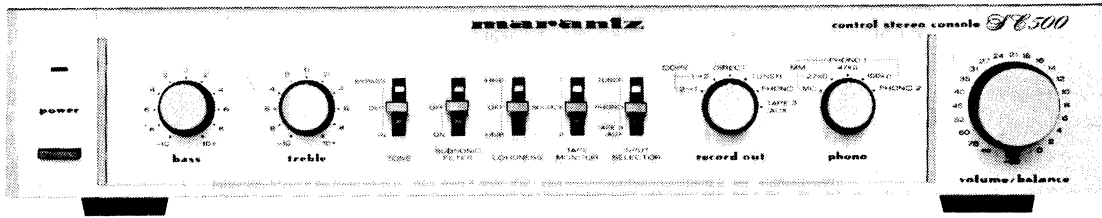
OVERSEAS PARTS ORDERING

Parts may also be ordered from the following overseas addresses:

U.S.A.	CANADA	AUSTRALIA	JAPAN
Marantz Company, Inc. National Service Dept. P.O. Box 577 Chatsworth, CA91311 U.S.A.	Superscope Canada, Ltd. 3710 Nashua Drive Mississauga Ontario, Canada L4V1M5	Marantz Australia 32 Cross Street Brookvale, NSW 2100 Australia	Marantz Japan, Inc. 3622 Kamitsuruma Sagamihara-shi Kanagawa, Japan
EUROPE			
Marantz Europe S.A. 326 Avenue Louise Bte 32 1050 Brussels Belgium	Marantz France 4 rue Bernard Palissy 92600 Asnieres France	Marantz Audio U.K., Ltd. 193 London Road Staines, Middlesex United Kingdom	Marantz Germany GMBH Max-Planck-Strasse 22 6072 Dreieich West Germany
Marantz Belgium 45 rue Auguste Van Zande 1080 Brussels Belgium	Marantz Svenska A.B. Franzengatan 6 10425 Stockholm Sweden	Marantz Norske A.S. Refstadalleen 13 Oslo 5 Norway	

All of the above locations are fully equipped to take care of your total service needs. Because various countries have differing configuration requirements, it is necessary that you contact the service facility in your particular country. In the event that there is no service location listed for your country, please contact the nearest facility for the necessary assistance.

MODEL SC500 STEREO CONTROL CONSOLE



1. INTRODUCTION

This service manual was prepared for use by Authorized Warranty Stations and contains service information for Marantz Model SC500 Stereo Control Console. Servicing information and voltage data included in this manual are intended for use by the knowledgeable and experienced technician only. All instructions should be read carefully. No attempt should be made to proceed without a good understanding of the operations in the Tuner.

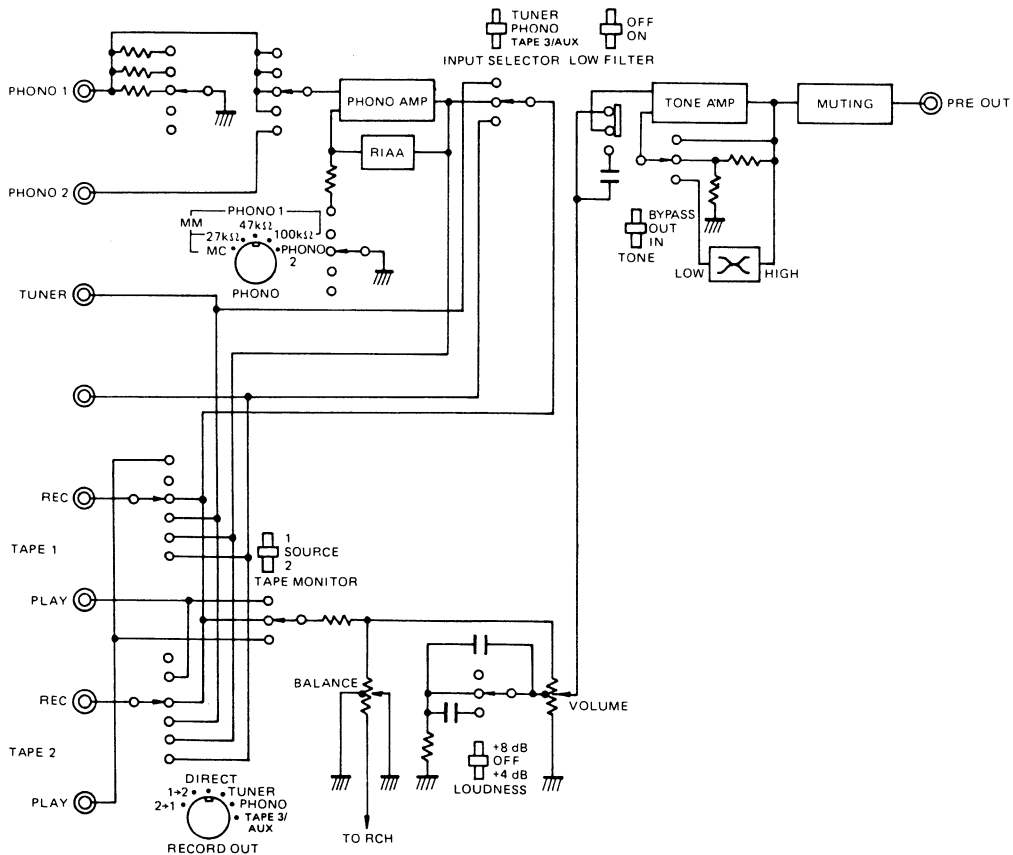
The parts list furnishes information by which replacement parts may be ordered from the Marantz Company. A simple description is included for parts which can usually be obtained through local suppliers.

2. P.W. BOARDS

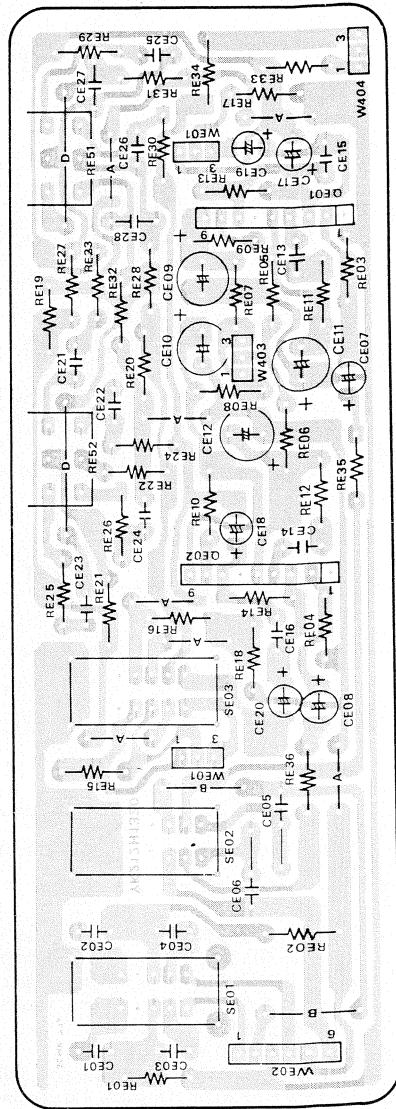
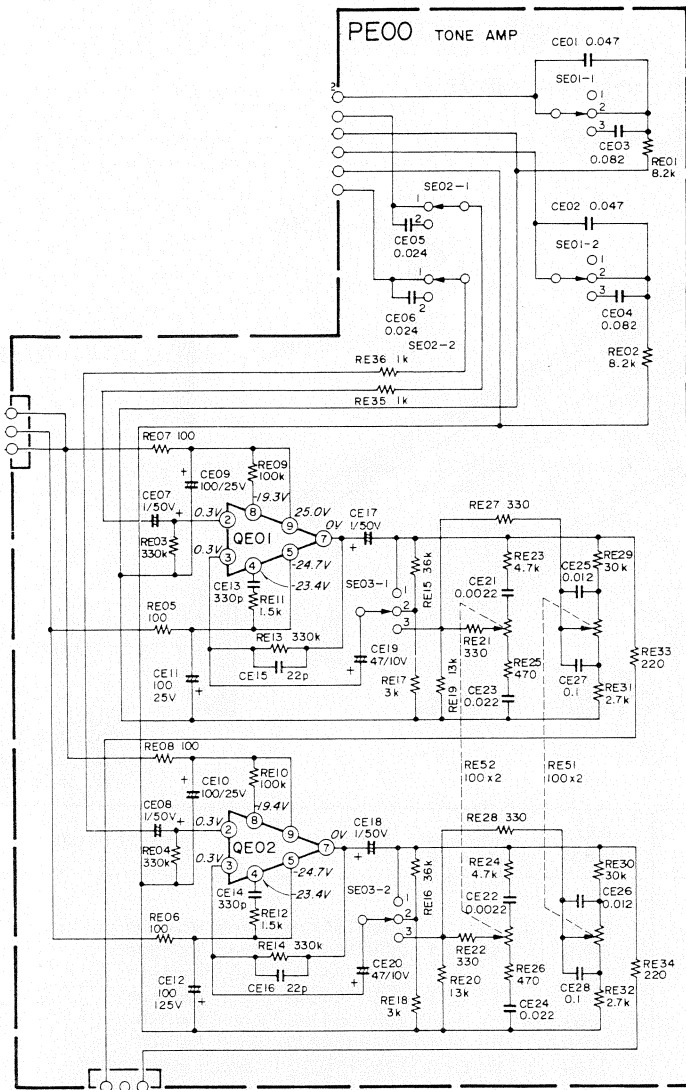
As can be seen from the circuit diagram, the chassis of Model SC500 consists of the following units. Each unit mounted on a printed circuit board is described within the square enclosed by a bold dotted line on the circuit diagram.

1. Phono Ampmounted on P.W. Board P400
2. Tone Controlmounted on P.W. Board PE00
3. VRmounted on P.W. Board PG00

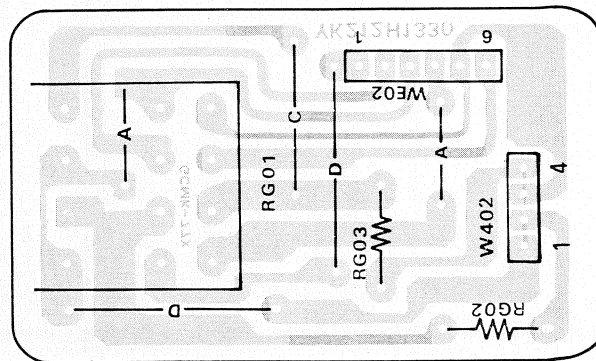
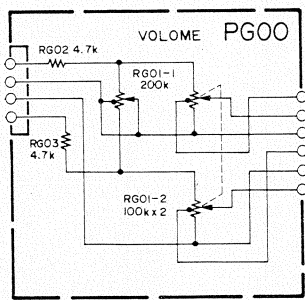
3. BLOCK DIAGRAM



4.2 Tone Control Assembly (PE00) Schematic Diagram and Component Locations

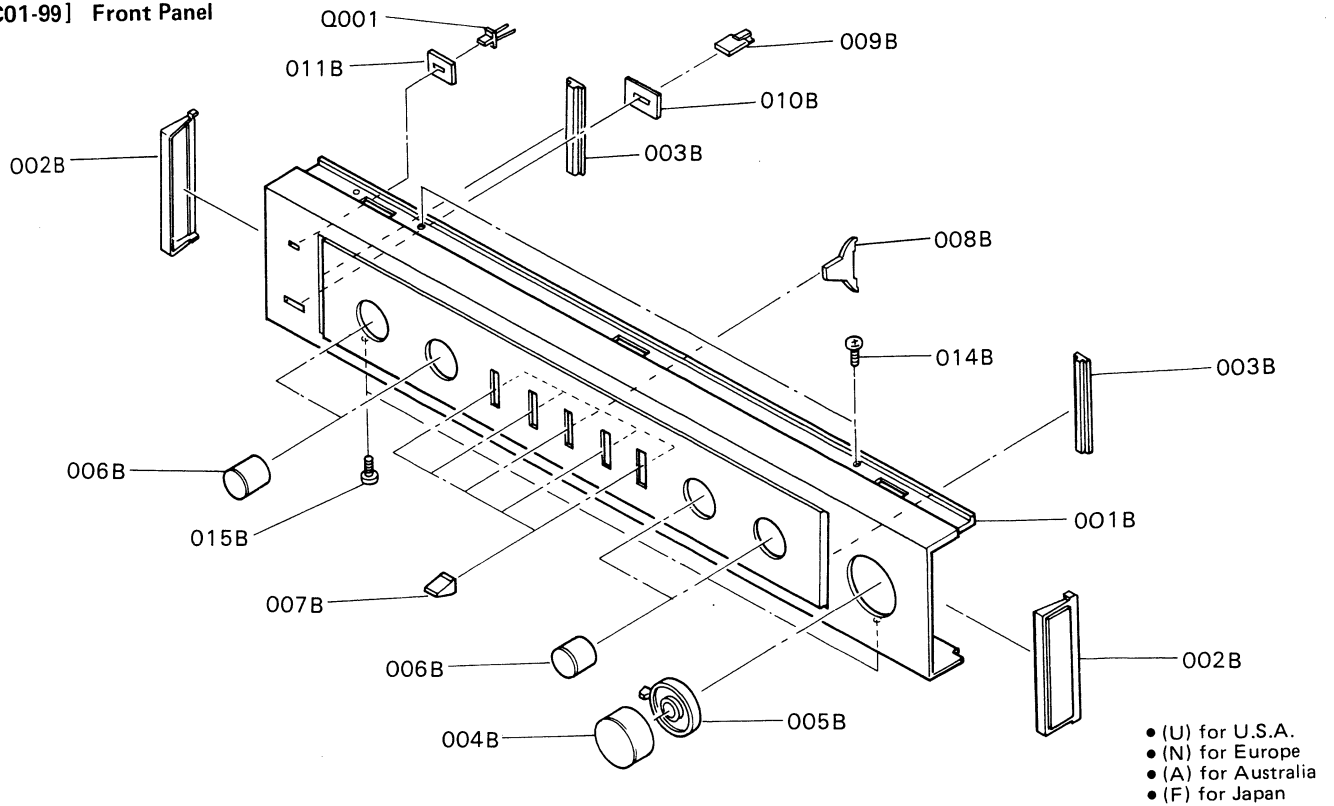


4.3 VR Assembly (PG00) Schematic Diagram and Component Locations



5. EXPLODED VIEW AND PARTS LIST

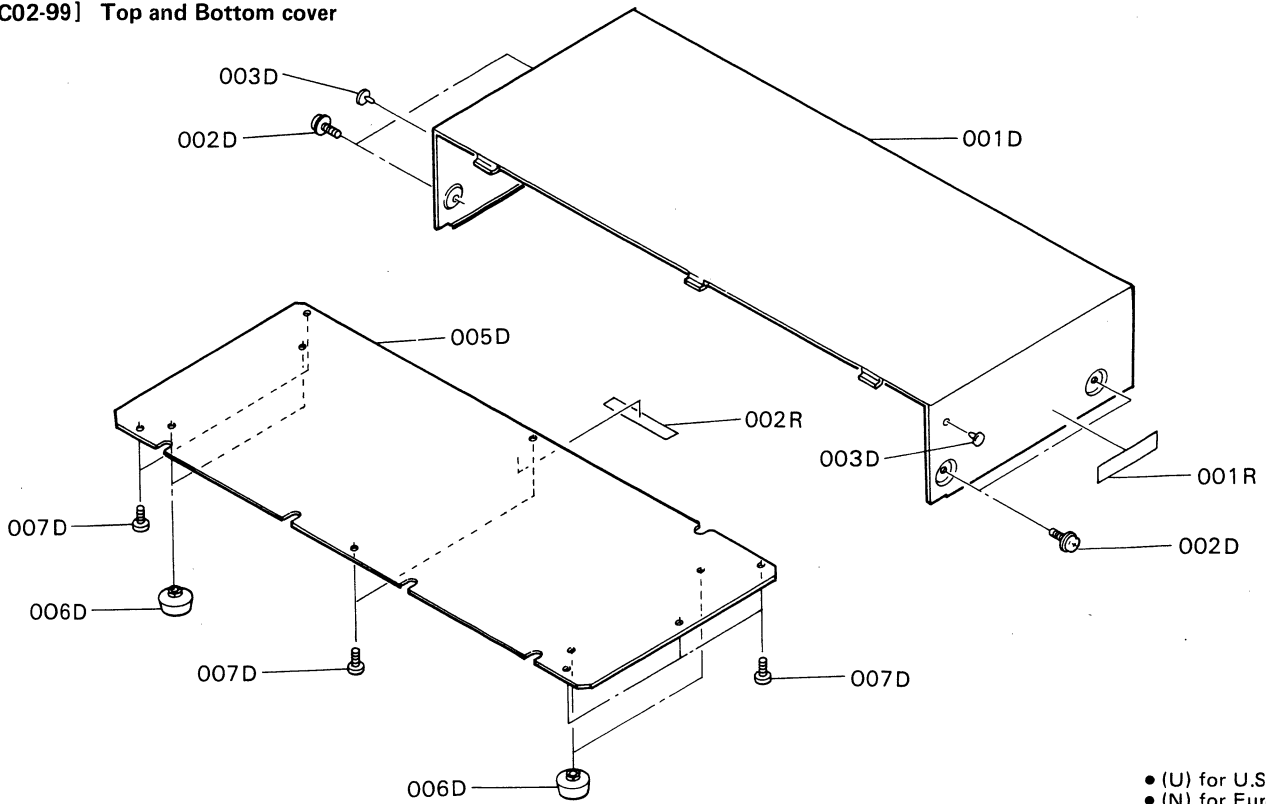
• [C01-99] Front Panel



REF. DESIG.	Q'TY				PART NO.	DESCRIPTION
	U	N	A	F		
A	1	1	1		125Z063400	Front Panel Assembly
A1				1	125Z063410	Front Panel Assembly
001B	1	1	1		125Z063010	Escutcheon, Front Panel
001B				1	125Z063110	Escutcheon, Front Panel
002B	2	2	2	2	403H067010	Cap
003B	2	2	2	2	403H063020	Escutcheon
008B	5	5	5	5	2144259010	Bushing, Lever Switch
010B	1	1	1	1	208H259010	Bushing, Power Switch
011B	1	1	1	1	008H118010	Spacer

REF. DESIG.	Q'TY				PART NO.	DESCRIPTION
	U	N	A	F		
004B	1				208H154130	Knob, Volume
004B		1	1	1	208H154030	Knob, Volume
005B	1				208H154140	Knob, Balance
005B		1	1	1	208H154040	Knob, Balance
006B	4				208H154120	Knob, Switch
006B		4	4	4	208H154020	Knob, Switch
007B	5	5	5	5	125Z154010	Knob, Lever Switch
009B	1	1	1	1	208H154060	Knob, Power Switch
014B	2	2	2	2	51300306B0	P.H. Tapped Screw P3x6
015B	2	2	2	2	51300306B0	P.H. Tapped Screw P3x6
Q001	1	1	1	1	HI10006320	L.E.D. GL-9NG9

• [C02-99] Top and Bottom cover

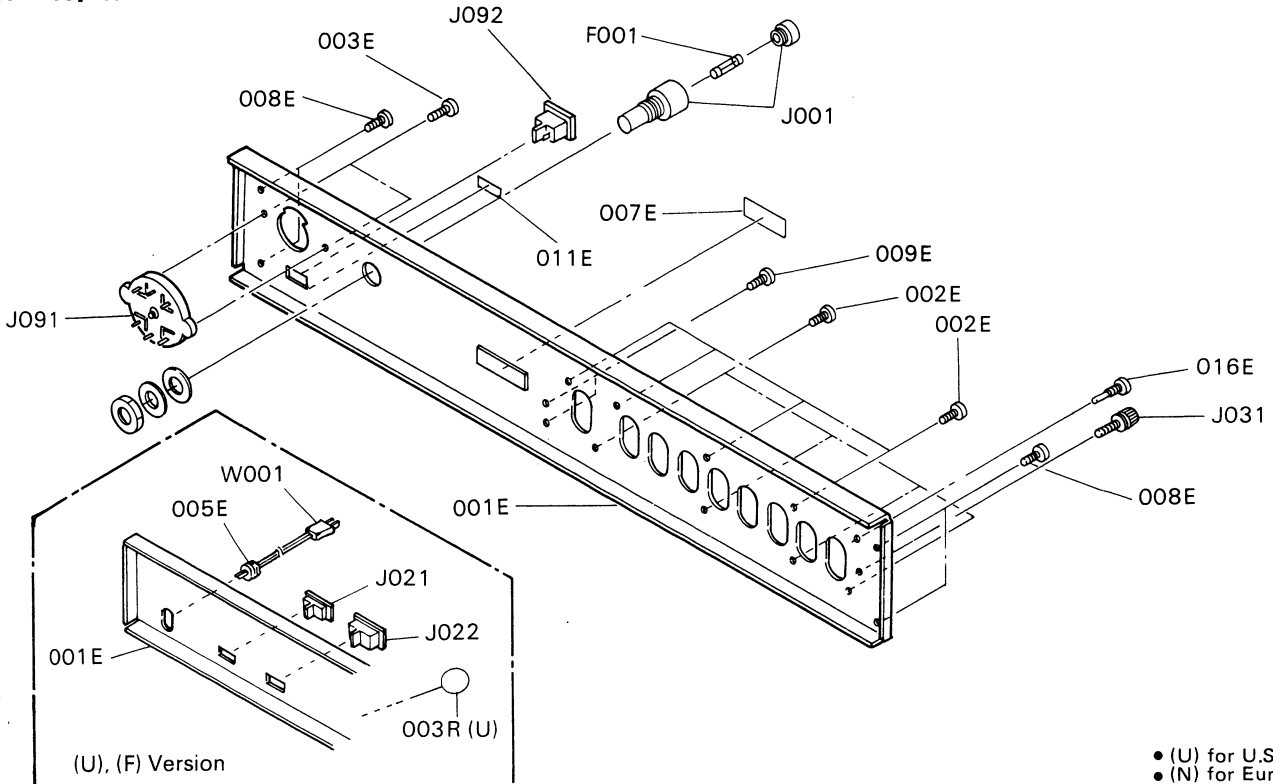


- (U) for U.S.A.
- (N) for Europe
- (A) for Australia
- (F) for Japan

REF. DESIG.	Q'TY				PART NO.	DESCRIPTION
	U	N	A	F		
001D	1	1	1	1	403H257010	Lid, Top Cover
002D	4				51260408Z0	B.T. Screw B4x8
002D	4	4	4		51260408U0	B.T. Screw B4x8
003D	2	2	2	2	2991259010	Bushing, Top Cover
005D	1	1	1	1	403H257020	Lid, Bottom Cover

REF. DESIG.	Q'TY				PART NO.	DESCRIPTION
	U	N	A	F		
006D	4	4	4	4	403H057010	Leg
007D	6				51280308B0	B.H. Tapped Screw B3x8
001R	1				2932861110	Label
001R		1	1		2932861010	Label Top Cover
002R	1	1	1		2578861010	Label Bottom Cover

• [C03-99] Rear Panel

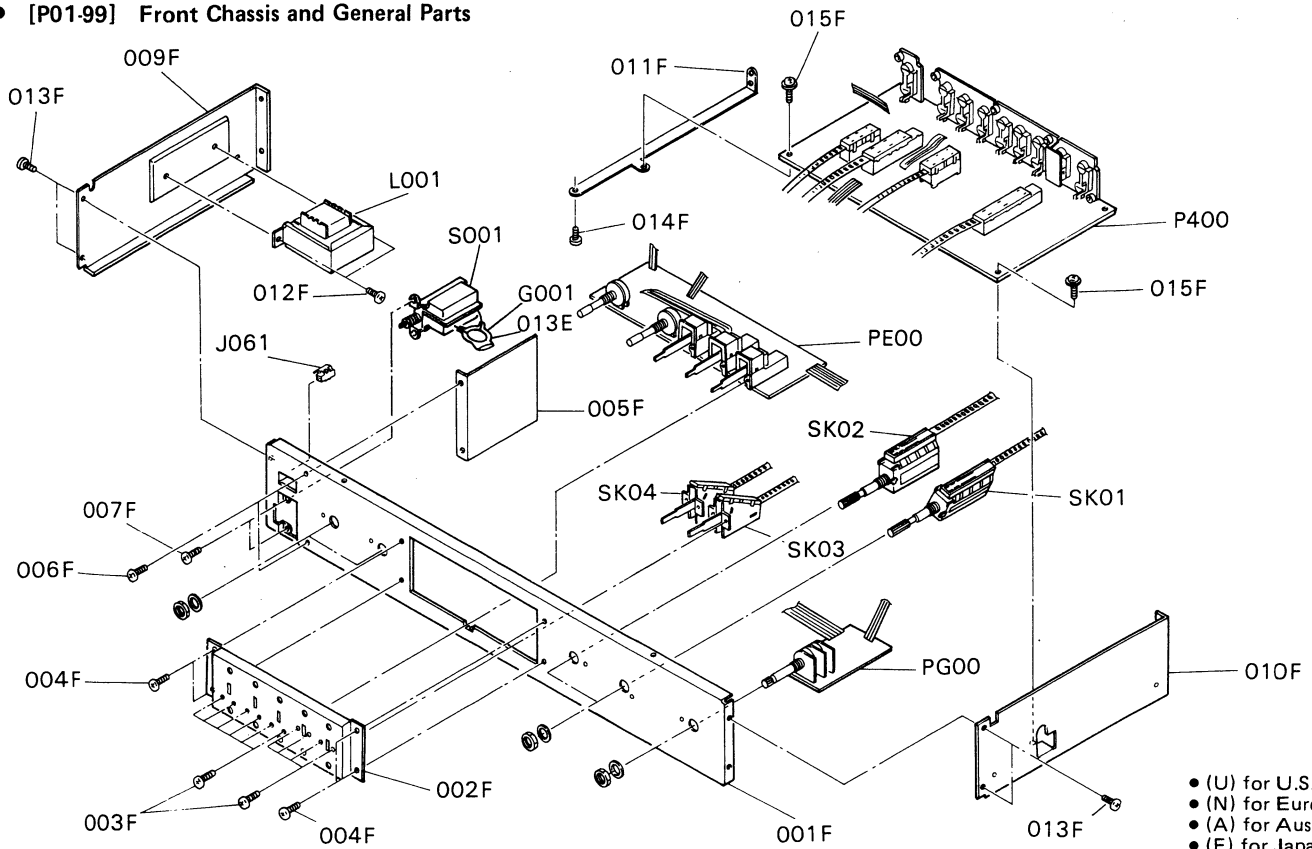


- (U) for U.S.A.
- (N) for Europe
- (A) for Australia
- (F) for Japan

REF. DESIG.	Q'TY				PART NO.	DESCRIPTION
	U	N	A	F		
001E	1				125Z160010	Bracket, Rear Panel
001E		1	1		125Z160020	Bracket, Rear Panel
001E				1	125Z160030	Bracket, Rear Panel
002E	8	8	8	8	51280308U0	B.H. Tapped Screw B3x8
003E	2	2			51280308U0	B.H. Tapped Screw B3x8
005E	1			1	1455259030	Bushing
007E	1	1	1	1	2112265010	Indicator
008E	4	4	4	4	51280308U0	B.H. Tapped Screw B3x8
009E	2	2	2	2	51280308U0	B.H. Tapped Screw B3x8
011E	1	1			4581861010	Label
016E	1	1	1	1	51704059B0	Spec. Set Screw
F001	1				FS10020500	Fuse 200mA 250V
F001		1			FS10020800	Fuse T200mA 250V
F001			1		FS10005800	Fuse T50mA 250V
F001				1	FS10020610	Fuse 200mA 250V

REF. DESIG.	Q'TY				PART NO.	DESCRIPTION
	U	N	A	F		
J001	1				YJ08000310	Jack, Fuse Holder
J001		1	1		YJ08000290	Jack, Fuse Holder
J001				1	YJ08000300	Jack, Fuse Holder
J021	1			1	YJ04000560	Jack, AC Outlet
J022	1			1	YJ04000560	Jack, AC Outlet
J031	1	1	1	1	YL03010250	Terminal, Ground
J091	1	1			BY05080010	Voltage Selector
J092	1	1			YP04000580	Plug, Inlet
W001	1				YC01900070	A.C. Power Cord
W001		1			ZC01805010	A.C. Power Cord
W001			1		ZC02006020	A.C. Power Cord
W001				1	YC01800190	A.C. Power Cord
003R	1				9511101070	Label UL

• [P01-99] Front Chassis and General Parts

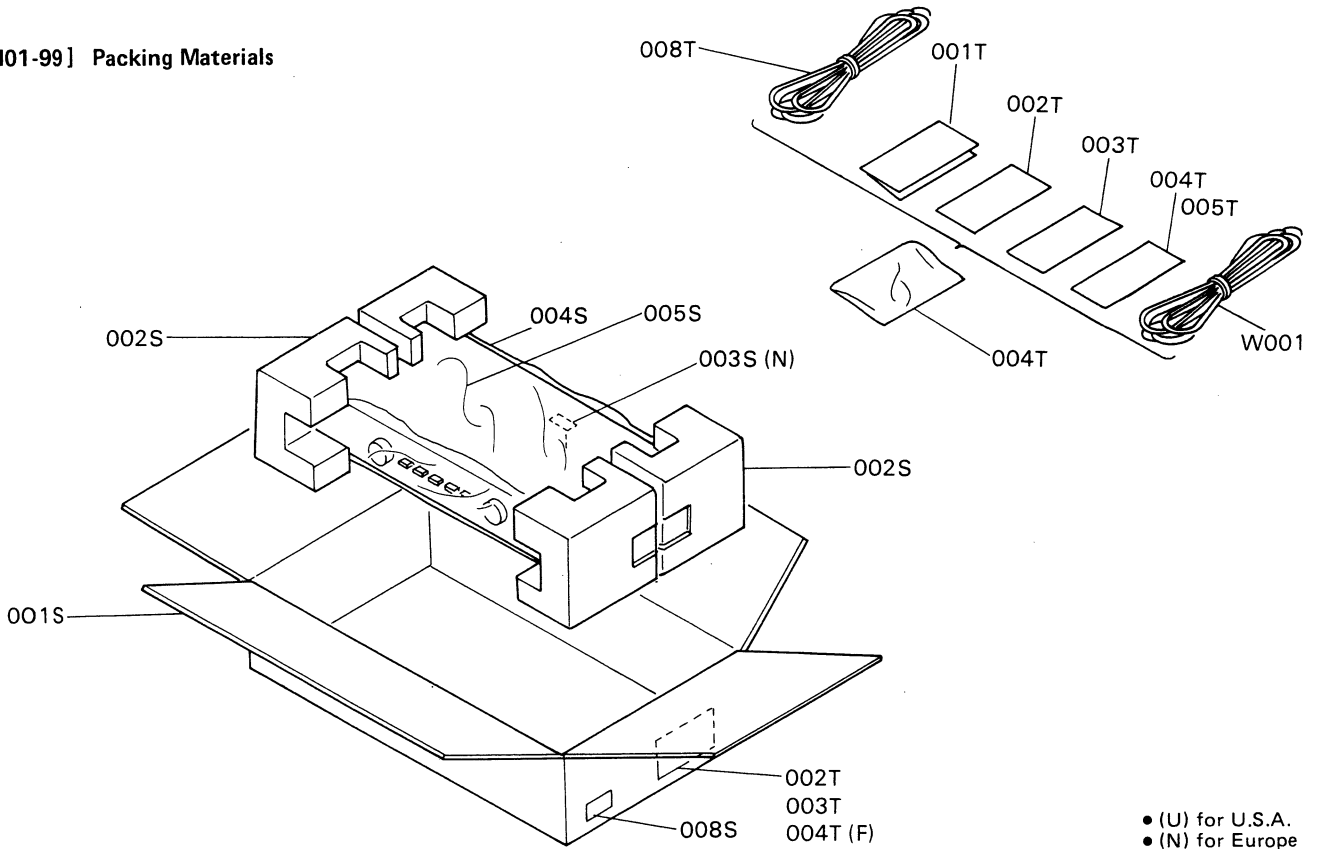


• (U) for U.S.A.
• (N) for Europe
• (A) for Australia
• (F) for Japan

REF. DESIG.	Q'TY				PART NO.	DESCRIPTION
	U	N	A	F		
001F	1	1	1	1	125Z105010	Chassis, Front
002F	1	1	1	1	125Z160060	Bracket, Lever Switch
003F	10	10	10	10	51060306A9	P.H.M Screw P3x6
004F	4	4	4	4	51280306A9	B.H. Tapped Screw B3x6
005F	1	1	1	1	125Z109010	Shield
006F	2	2	2	2	51280308B0	B.H. Tapped Screw B3x8
007F	2	2	2	2	51060306A9	P.H.M. Screw P3x6
009F	1	1	1	1	125Z160040	Bracket, Left
010F	1	1	1	1	125Z160050	Bracket, Right
011F	1	1	1	1	125Z160070	Bracket, Center
012F	2	2	2	2	51280405B0	B.H. Tapped Screw B3x8
013F	4	4	4	4	51280308B0	B.H. Tapped Screw B3x8
014F	1	1	1	1	51280305B0	B.H. Tapped Screw B3x5
015F	2	2	2	2	51260308B0	B.T. Screw B3x8 B3x8
G001	1				DK18103530	Ceramic 0.01μF
G001		1	1		DK18103840	Ceramic 0.01μF
G001				1	DK18103850	Ceramic 0.01μF

REF. DESIG.	Q'TY				PART NO.	DESCRIPTION
	U	N	A	F		
J061	1	1	1	1	YJ05000350	Jack, LED
L001	1				TS14818010	Power Transformer
L001		1	1		TS14818020	Power Transformer
L001				1	TS14818030	Power Transformer
S001	1				SP01010420	Push Switch, Power
S001		1	1		SP01010390	Push Switch, Power
S001				1	SP01010430	Push Switch, Power
SK01	1	1	1	1	SR06050210	Rotary Switch
SK02	1	1	1	1	SR04060070	Rotary Switch
SK03	1	1	1	1	SC02030190	Switch, Input Selector
SK04	1	1	1	1	SC02020420	Switch, Tape mono
013E	1	1			403H120010	Insulator

• [H01-99] Packing Materials



- (U) for U.S.A.
- (N) for Europe
- (A) for Australia
- (F) for Japan

REF. DESIG.	Q'TY				PART NO.	DESCRIPTION
	U	N	A	F		
001S	1				125Z801010	Packing Case
001S		1	1		125Z801020	Packing Case
001S				1	125Z801030	Packing Case
002S	2	2	2	2	001H809010	Cushion
003S	1			1	2918107390	Sheet
003S		1			2731821010	Silicagel
004S	1	1	1	1	2918107360	Sheet
005S	1	1	1	1	9090909040	Polyethylene Sheet
008S				2	9526019010	Serial No. Card
008S				4	9526019060	Serial No. Card
008S			4		9526019030	Serial No. Card
008S				4	9526019040	Serial No. Card

REF. DESIG.	Q'TY				PART NO.	DESCRIPTION
	U	N	A	F		
001T	1		1		125Z851010	Instructions
001T		1			125Z851310	Instructions
001T				1	125Z851110	Instructions
002T	1		1		125Z851020	Instructions
002T		1			125Z851320	Instructions
002T				1	9631000110	Guarantee Card
003T	1				2818854020	Guarantee Card
003T		1			125Z856010	Circuit Diagram
003T			1		2205851040	Instructions
003T				1	2976851040	Instructions
004T	1				2225813010	Envelope
004T			1		9631000090	Guarantee Card
004T				1	2976813020	Envelope
005T				1	9650000030	S. Station Card
008T	1	1	1	1	ZD01000170	Connective Cord
W001		1			YC01900070	A.C. Power Cord
W001			1		ZC01805010	A.C. Power Cord
W001				1	ZC02006020	A.C. Power Cord
W001				1	YC01800190	A.C. Power Cord

6. ELECTRICAL PARTS LIST

- (U) for U.S.A.
- (N) for Europe
- (A) for Australia
- (F) for Japan

REF. DESIG.	Q'TY				PART NO.	DESCRIPTION	REF. DESIG.	Q'TY				PART NO.	DESCRIPTION
	U	N	A	F				U	N	A	F		
P400	1	1	1	1	YK212H1310	P400-PHONE AMP CIRCUIT BOARD	R411	1	1	1	1	GD05124140	120kΩ
	1				ZZ212H1310	P.W. Board, Phone Amp	R412	1	1	1	1	GD05124140	120kΩ
		1	1		ZZ218H8310	P.W. Board Assembly	R413	1	1	1	1	GD05221140	220Ω
						P.W. Board Assembly	R414	1	1	1	1	GD05221140	220Ω
C401	1	1	1	1	EA10601630	P400-CAPACITORS	R415	1	1	1	1	GD05473140	47kΩ
C402	1	1	1	1	EA10601630	Elect 10μF 16V	R416	1	1	1	1	GD05473140	47kΩ
C403	1	1	1	1	EA10702530	Elect 10μF 16V	R417	1	1	1	1	GD05102140	1kΩ
C404	1	1	1	1	EA10702530	Elect 100μF 25V	R418	1	1	1	1	GD05102140	1kΩ
C405	1	1	1	1	DK16331300	Ceramic 330pF ±10%	R419	1	1	1	1	GD05473140	47kΩ
C406	1	1	1	1	DK16331300	Ceramic 330pF ±10%	R420	1	1	1	1	GD05473140	47kΩ
C407	1	1	1	1	EA10702530	Elect 100μF 25V	R421	1	1	1	1	GD05473140	47kΩ
C408	1	1	1	1	EA10702530	Elect 100μF 25V	R422	1	1	1	1	GD05473140	47kΩ
C409	1	1	1	1	DK16682300	Ceramic 6800pF ±10%	R423	1	1	1	1	GD05331140	330Ω
C410	1	1	1	1	DK16682300	Ceramic 6800pF ±10%	R424	1	1	1	1	GD05331140	330Ω
C411	1	1	1	1	DK16821300	Ceramic 820pF ±10%	R425	1	1	1	1	GD05104140	100kΩ
C412	1	1	1	1	DK16821300	Ceramic 820pF ±10%	R426	1	1	1	1	GD05104140	100kΩ
C413	1	1	1	1	EA10800630	Elect 1000μF 6.3V	R427	1	1	1	1	GD05151140	150Ω
C414	1	1	1	1	EA10800630	Elect 1000μF 6.3V	R428	1	1	1	1	GD05151140	150Ω
C415	1	1	1	1	DF15562300	Film 0.0056μF±5%	R429	1	1	1	1	GD05151140	150Ω
C416	1	1	1	1	DF15562300	Film 0.0056μF±5%	R430	1	1	1	1	GD05151140	150Ω
C417	1	1	1	1	DK16331300	Ceramic 330pF ±10%	R431	1	1	1	1	GD05270140	27Ω
C418	1	1	1	1	DK16331300	Ceramic 330pF ±10%	R432	1	1	1	1	GD05270140	27Ω
C419	1	1	1	1	DF15183300	Film 0.018μF±5%	R433	1	1	1	1	GD05123140	12kΩ
C420	1	1	1	1	DF15183300	Film 0.018μF±5%	R434	1	1	1	1	GD05123140	12kΩ
C421	1	1	1	1	DF15222300	Film 0.0022μF±5%	R435	1	1	1	1	GD05681140	680Ω
C422	1	1	1	1	DF15222300	Film 0.0022μF±5%	R436	1	1	1	1	GD05681140	680Ω
C423	1	1	1	1	EA47505030	Elect 4.7μF 50V	R437	1	1	1	1	GD05154140	150kΩ
C424	1	1	1	1	EA47505030	Elect 4.7μF 50V	R438	1	1	1	1	GD05154140	150kΩ
C425	1	1	1	1	DF16152300	Film 0.0015μF±10%	R439	1	1	1	1	GD05562140	5.6kΩ
C426	1	1	1	1	DF16152300	Film 0.0015μF±10%	R440	1	1	1	1	GD05562140	5.6kΩ
C801	1	1	1	1	EA33705030	Elect 330μF 50V	R441	1	1	1	1	GD05104140	100kΩ
C802	1	1	1	1	EA33705030	Elect 330μF 50V	R442	1	1	1	1	GD05104140	100kΩ
C803	1	1	1	1	EA22505030	Elect 2.2μF 50V	R443	1	1	1	1	GD05471140	470Ω
C804	1	1	1	1	DK16101300	Ceramic 100pF ±10%	R444	1	1	1	1	GD05471140	470Ω
C805	1	1	1	1	EA10701030	Elect 100μF 10V	R445	1	1	1	1	GD05101140	100Ω
C806	1	1	1	1	EA22603530	Elect 22μF 35V	R446	1	1	1	1	GD05101140	100Ω
C807	1	1	1	1	EA22505030	Elect 2.2μF 50V	R447	1	1	1	1	GD05101140	100Ω
C808	1	1	1	1	DK16101300	Ceramic 100pF ±10%	R448	1	1	1	1	GD05101140	100Ω
C809	1	1	1	1	EA22603530	Elect 22μF 35V	R801	1	1	1	1	GD05153140	15kΩ
C810	1	1	1	1	DK18103560	Ceramic 0.01μF +80,-20%	R802	1	1	1	1	GD05392140	3.9kΩ
C811	1	1	1	1	DK18103560	Ceramic 0.01μF +80,-20%	R803	1	1	1	1	GD05392140	3.9kΩ
C812	1	1	1	1	DK18103560	Ceramic 0.01μF +80,-20%	R804	1	1	1	1	GD05562140	5.6kΩ
C813	1	1	1	1	EA47605030	Elect 47μF 50V	R805	1	1	1	1	GD05163140	16kΩ
CN01	1	1	1	1	EA22505030	Elect 2.2μF 50V	R806	1	1	1	1	GD05153140	15kΩ
CN02	1	1	1	1	EA10702530	Elect 100μF 25V	R807	1	1	1	1	GA05152010	1.5kΩ 1W
R401	1	1	1	1	GD05101140	P400-RESISTORS	RN01	1	1	1	1	GD05203140	20kΩ
R402	1	1	1	1	GD05101140	(All Resistors are ±5% and ¼W)	RN02	1	1	1	1	GD05103140	10kΩ
R403	1	1	1	1	GD05363140	100Ω	RN03	1	1	1	1	GD05104140	100kΩ
R404	1	1	1	1	GD05363140	36kΩ	RN04	1	1	1	1	GD05512140	5.1kΩ
R405	1	1	1	1	GD05913140	36kΩ	RN05	1	1	1	1	GD05623140	62kΩ
R406	1	1	1	1	GD05913140	91kΩ	RN06	1	1	1	1	GD05101140	100Ω
R407	1	1	1	1	GD05913140	91kΩ	RN07	1	1	1	1	GD05271140	270Ω
R408	1	1	1	1	GD05913140	91kΩ	RN08	1	1	1	1	GD05474140	470kΩ
R409	1	1	1	1	GD05624140	620kΩ	RN09	1	1	1	1	GD05474140	470kΩ
R410	1	1	1	1	GD05624140	620kΩ							

- (U) for U.S.A.
- (N) for Europe
- (A) for Australia
- (F) for Japan

REF. DESIG.	Q'TY				PART NO.	DESCRIPTION
	U	N	A	F		
P400-SEMICONDUCTORS						
Q401	1	1	1	1	HT109912B0	Transistor 2SA991(F, E)
Q402	1	1	1	1	HT109912B0	Transistor 2SA991(F, E)
Q403	1	1	1	1	HT109912B0	Transistor 2SA991(F, E)
Q404	1	1	1	1	HT109912B0	Transistor 2SA991(F, E)
Q405	1	1	1	1	HC10055050	IC TA7322P
Q406	1	1	1	1	HC10055050	IC TA7322P
Q801	1	1	1	1	HD20015030	Diode DS135D
Q802	1	1	1	1	HD20015030	Diode DS135D
Q803	1	1	1	1	HF201632A0	F.E.T. 2SK163(L, M)
Q804	1	1	1	1	HT408632B0	Transistor 2SD863(E, F)
Q805	1	1	1	1	HT323202B0	Transistor 2SC2320(E, F)
Q806	1	1	1	1	HF201632A0	F.E.T. 2SK163(L, M)
Q807	1	1	1	1	HT207642B0	Transistor 2SB764(E, F)
Q808	1	1	1	1	HT110151B0	Transistor 2SA1015(Y)
Q809	1	1	1	1	HD30008010	Zener HZ6L
Q810	1	1	1	1	HD20010010	Diode 1S2076
Q811	1	1	1	1	HD20015030	Diode DS135D
QN01	1	1	1	1	HT323202B0	Transistor 2SC2320(E, F)
QN02	1	1	1	1	HT323202B0	Transistor 2SC2320(E, F)
QN03	1	1	1	1	HD20010010	Diode 1S2076
QN04	1	1	1	1	HD30075090	Zener WZ-110
QN05	1	1	1	1	HD20010010	Diode 1S2076
P400-SWITCHES						
S401	1	1	1	1	SS06060040	Slide Switch, Phono Selector
S402	1	1	1	1	SR00050080	Rotary Switch, Phono Selector
SW01	1	1	1	1	SS04060020	Slide Switch, Rec. Selector
SW02	1	1	1	1	SS02030120	Slide Switch, Input Selector
SW03	1	1	1	1	SS02020670	Slide Switch, Tape, Mon, Selector
SW04	1	1	1	1	SR00060030	Rotary Switch, Rec. Selector
SW05	1	1	1	1	SC00030030	Switch, Input Selector
SW06	1	1	1	1	SB11560010	Switch Band Flx.
SW07	1	1	1	1	SC00030030	Switch, Tape Mon. Selector
SW08	1	1	1	1	SB11200010	Switch Band Flx.
P400-RELAY						
LN01	1	1	1	1	LY20240160	Relay
P400-TERMINALS						
JW01	1	1	1	1	YT02060130	Terminal, RCA Jack 6P
JW02	1	1	1	1	YT02060130	Terminal, RCA Jack 6P
JW03	1	1	1	1	YT02020210	Terminal, RCA Jack 2P
J401	1				YT02040330	Terminal, RCA Jack 4P
J401		1	1	1	YT02040260	Terminal, RCA Jack 4P
P400-JAMPERS						
W401	1	1	1	1	YU03070260	Jumper Lead, 3Px70mm
W402	1	1	1	1	YU04060260	Jumper Lead, 4Px60mm
W403	1	1	1	1	YU03240260	Jumper Lead, 3Px240mm
W404	1	1	1	1	YU03300260	Jumper Lead, 3Px300mm

REF. DESIG.	Q'TY				PART NO.	DESCRIPTION
	U	N	A	F		
PE00-TONE CONTROL CIRCUIT BOARD						
PE00	1	1	1	1	YK212H1320	P.W. Board, Tone Control
	1	1	1	1	ZZ212H1320	P.W. Board Assembly
PE00-CAPACITORS						
CE01	1	1	1	1	DF16473300	Film 0.047 μ F \pm 10%
CE02	1	1	1	1	DF16473300	Film 0.047 μ F \pm 10%
CE03	1	1	1	1	DF16823300	Film 0.082 μ F \pm 10%
CE04	1	1	1	1	DF16823300	Film 0.082 μ F \pm 10%
CE05	1	1	1	1	DF15243300	Film 0.024 μ F \pm 10%
CE06	1	1	1	1	DF15243300	Film 0.024 μ F \pm 10%
CE07	1	1	1	1	EA10505030	Elect 1 μ F 50V
CE08	1	1	1	1	EA10505030	Elect 1 μ F 50V
CE09	1	1	1	1	EA10702530	Elect 100 μ F 25V
CE10	1	1	1	1	EA10702530	Elect 100 μ F 25V
CE11	1	1	1	1	EA10702530	Elect 100 μ F 25V
CE12	1	1	1	1	EA10702530	Elect 100 μ F 25V
CE13	1	1	1	1	DK16331300	Ceramic 330pF \pm 10%
CE14	1	1	1	1	DK16331300	Ceramic 330pF \pm 10%
CE15	1	1	1	1	DD15220300	Ceramic 22pF \pm 5%
CE16	1	1	1	1	DD15220300	Ceramic 22pF \pm 5%
CE17	1	1	1	1	EA10505030	Elect 1 μ F 50V
CE18	1	1	1	1	EA10505030	Elect 1 μ F 50V
CE19	1	1	1	1	EA47601030	Elect 47 μ F 10V
CE20	1	1	1	1	EA47601030	Elect 47 μ F 10V
CE21	1	1	1	1	DF16222300	Film 0.0022 μ F \pm 10%
CE22	1	1	1	1	DF16222300	Film 0.0022 μ F \pm 10%
CE23	1	1	1	1	DF16223300	Film 0.022 μ F \pm 10%
CE24	1	1	1	1	DF16223300	Film 0.022 μ F \pm 10%
CE25	1	1	1	1	DF16123300	Film 0.012 μ F \pm 10%
CE26	1	1	1	1	DF16123300	Film 0.012 μ F \pm 10%
CE27	1	1	1	1	DF16104300	Film 0.1 μ F \pm 10%
CE28	1	1	1	1	DF16104300	Film 0.1 μ F \pm 10%
PE00-RESISTORS (All Resistors are \pm 5% and $\frac{1}{4}$ W)						
RE01	1	1	1	1	GD05822140	8.2k Ω
RE02	1	1	1	1	GD05822140	8.2k Ω
RE03	1	1	1	1	GD05334140	330k Ω
RE04	1	1	1	1	GD05334140	330k Ω
RE05	1	1	1	1	GD05101140	100 Ω
RE06	1	1	1	1	GD05101140	100 Ω
RE07	1	1	1	1	GD05101140	100 Ω
RE08	1	1	1	1	GD05101140	100 Ω
RE09	1	1	1	1	GD05104140	100k Ω
RE10	1	1	1	1	GD05104140	100k Ω
RE11	1	1	1	1	GD05152140	1.5k Ω
RE12	1	1	1	1	GD05152140	1.5k Ω
RE13	1	1	1	1	GD05334140	330k Ω
RE14	1	1	1	1	GD05334140	330k Ω
RE15	1	1	1	1	GD05363140	36k Ω
RE16	1	1	1	1	GD05363140	36k Ω
RE17	1	1	1	1	GD05302140	3k Ω
RE18	1	1	1	1	GD05302140	3k Ω
RE19	1	1	1	1	GD05133140	13k Ω
RE20	1	1	1	1	GD05133140	13k Ω

- (U) for U.S.A.
- (N) for Europe
- (A) for Australia
- (F) for Japan

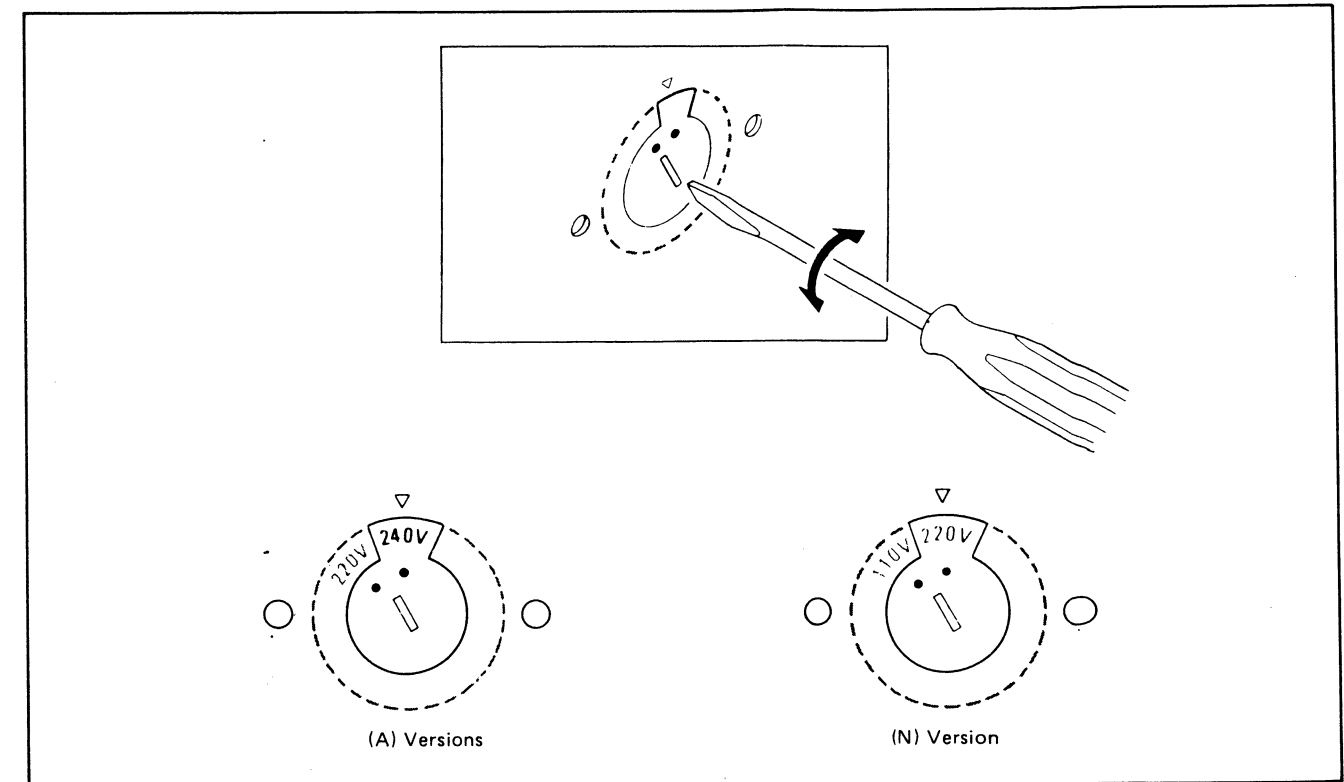
REF. DESIG.	Q'TY				PART NO.	DESCRIPTION
	U	N	A	F		
RE21	1	1	1	1	GD05331140	330Ω
RE22	1	1	1	1	GD05331140	330Ω
RE23	1	1	1	1	GD05472140	4.7kΩ
RE24	1	1	1	1	GD05472140	4.7kΩ
RE25	1	1	1	1	GD05471140	470Ω
RE26	1	1	1	1	GD05471140	470Ω
RE27	1	1	1	1	GD05331140	330Ω
RE28	1	1	1	1	GD05331140	330Ω
RE29	1	1	1	1	GD05303140	30kΩ
RE30	1	1	1	1	GD05303140	30kΩ
RE31	1	1	1	1	GD05272140	2.7kΩ
RE32	1	1	1	1	GD05272140	2.7kΩ
RE33	1	1	1	1	GD05221140	220Ω
RE34	1	1	1	1	GD05221140	220Ω
RE35	1	1	1	1	GD05102140	1kΩ
RE36	1	1	1	1	GD05102140	1kΩ
RE51	1	1	1	1	RM01040440	Variable 100kΩ(C)x2
RE52	1	1	1	1	RM01040440	Variable 100kΩ(C)x2
PE00-SEMICONDUCTORS						
QE01	1	1	1	1	HC10055050	IC TA7322P
QE02	1	1	1	1	HC10055050	IC TA7322P
PE00-SWITCHES						
SE01	1	1	1	1	SC02030200	Switch, Loudness
SE02	1	1	1	1	SC02020430	Switch, Low Filter
SE03	1	1	1	1	SC02030200	Switch, Tone
PG00-VR CIRCUIT BOARD						
PG00	1	1	1	1	YK212H1330	P.W. Board, VR
	1	1	1	1	ZZ212H1330	P.W. Board Assembly
PG00-RESISTORS (All Resistors are ±5% and ¼W)						
RG01	1	1	1	1	RQ02040060	Variable 100k/200kΩ Vol./Bal.
RG02	1	1	1	1	GD05472140	4.7kΩ
RG03	1	1	1	1	GD05472140	4.7kΩ

W01-99	Assembly and Wiring
T01-99	Adjustment
X01-99	Correction

7. VOLTAGE CONVERSION

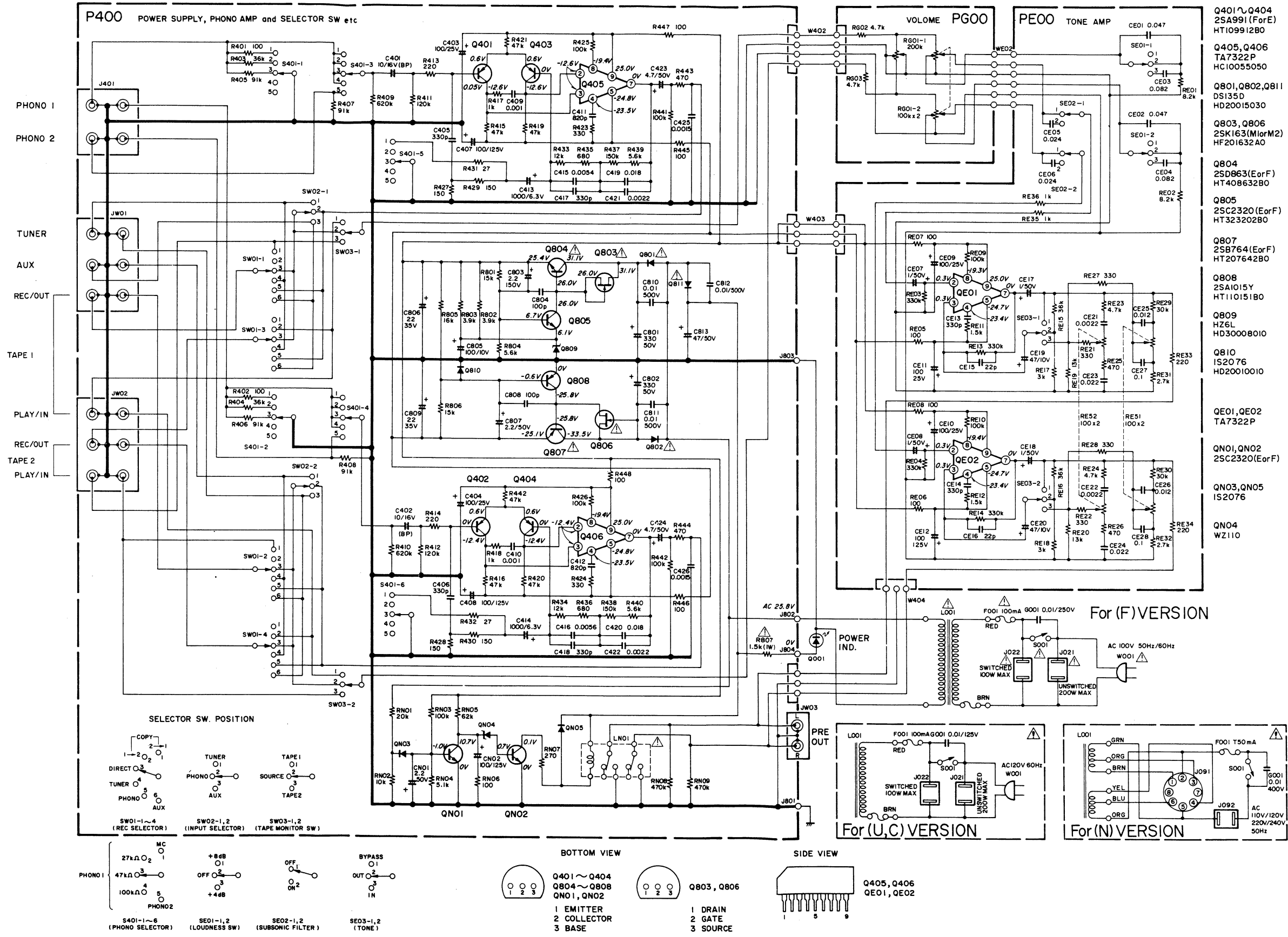
To convert the unit to a different power source voltage, change the position as illustrated in the drawing below.

CAUTION: DISCONNECT POWER SUPPLY CORD FROM AC OUTLET BEFORE CONVERTING VOLTAGE. DO NOT DISASSEMBLE THE VOLTAGE SELECTOR ABSOLUTELY.



NOTE ON SAFETY: THE PARTS MARKED Δ ARE IMPORTANT PARTS ON THE SAFETY. PLEASE USE THE PARTS HAVING THE DESIGNATED PARTS NUMBERS WITHOUT FAIL.

8. SCHEMATIC DIAGRAM



- Q401 ~ Q404
2SA991 (For E)
HT1099 I2B0
- Q405, Q406
TA7322P
HC10055050
- Q801, Q802, Q811
DS135D
HD20015030
- Q803, Q806
2SK163 (Mior M2)
HF201632A0
- Q804
2SD863 (Eor F)
HT408632B0
- Q805
2SC2320 (Eor F)
HT323202B0
- Q807
2SB764 (Eor F)
HT207642B0
- Q808
2SA1015Y
HT110151B0
- Q809
HZ6L
HD30008010
- Q810
IS2076
HD20010010
- QE01, QE02
TA7322P
- QN01, QN02
2SC2320 (Eor F)
- QN03, QN05
IS2076
- QN04
WZ110

Note on safety: The parts marked with Δ are important parts on the safety. Please use the parts having the designated parts number without fail.

Components and wiring are subject to change for modification without notice.

9. TECHNICAL SPECIFICATIONS

Input Terminals

Phono (MM):	Frequency Response (RIAA)	±0.5 dB
	Signal-to-Noise Ratio (IHF-A Network)	84 dB
	Input Impedance	Phono 1 MM	27k/47k/100k ohms
		Phono 2 MM	47k ohms
	Input Sensitivity	2.8 mV
	Input Equivalent Noise	0.24 μ V
	Dynamic Range (Ratio of input overload to equivalent input noise)	120 dB
	Signal-to-Noise Ratio (IHF-A Network)	66 dB
Phono (MC):	Input Impedance	100 ohms
	Input Sensitivity	220 μ V
Aux:	Input Impedance	37k ohms
	Input Sensitivity	150 mV
	Frequency Response (\pm 1 dB)	5 Hz—100 kHz
Output Voltage, 1 kHz			
	Tape Out	430 mV
	Pre Out	1.5 V
Output Impedance, 1 kHz			
	Tape Out	470 ohms
	Pre Out	220 ohms

GENERAL

Power Requirements	220 V AC, 50 Hz
		(E and N versions are featuring an external vostage selector. Other versions can be converted by a qualified technician to operate on 240V.)
Power Consumption	29 W
Dimensions		
	Panel Width	416 mm (16-3/8 inches)
	Panel Height	73 mm (2-7/8 inches)
	Depth	193 mm (7-5/8 inches)
Weight		
	Unit alone	2.9 kg

Specifications and appearance are subject to change for modification without notice.